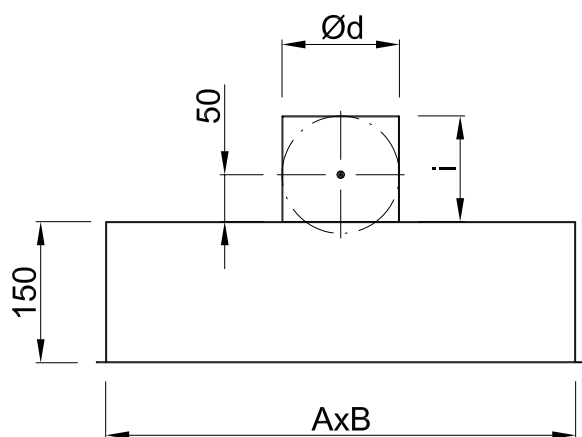
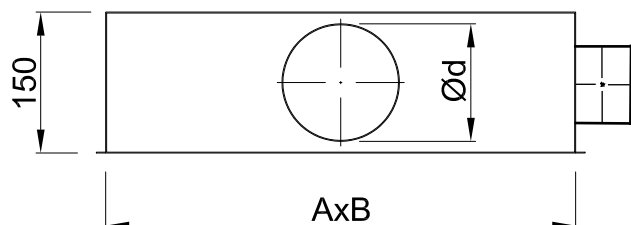


## expansion boxes for diffusers NSC/DZ

connecting the upper (rear)



connection side, after a long or short side



Expansion boxes can be connected to the ventilation installation through the side or top.

Boxes can be thermally and acoustically insulated from the inside by K-Flex rubber mat.

Upon customer's request we can make other types of expansion boxes accordingly to provided drawings.

### ORDER REFERENCE

SR / NSC - 350 - PZ - I - g

- b side connection
- g top connection
- non-insulated
- I insulated
- no throttle
- PW throttle controlled from inside
- PZ throttle controlled from outside
- size
- diffuser type

### STANDARD SIZES

	350	500	650
A [mm]	350	500	650
B [mm]	150	150	150
Ød [mm]	98	123	123
i [mm]	100	115	115

### DESCRIPTION

SR/NSC are expansion boxes for diffusers NSC/RD and NSC/RDM. They stabilize the airflow and ensure uniform air supply to the diffuser. Expansion boxes connect diffusers with ventilation installation. They are made of zinc-coated sheet, joint by non-welded Click-Clock connection.

## expansion boxes for diffusers NSC/DZ

### INSTALLATION

Expansion boxes SR/NSC are designed for installation in the wall. Prepare an installation hole of a size of  $A \times B$  for the chosen diffuser. Slide to box in and fix it to the wall by screws. Slide the front panel of the diffuser onto the box and fix it to the wall with screws through installation holes. Remember to seal connection between the diffuser and the box.

