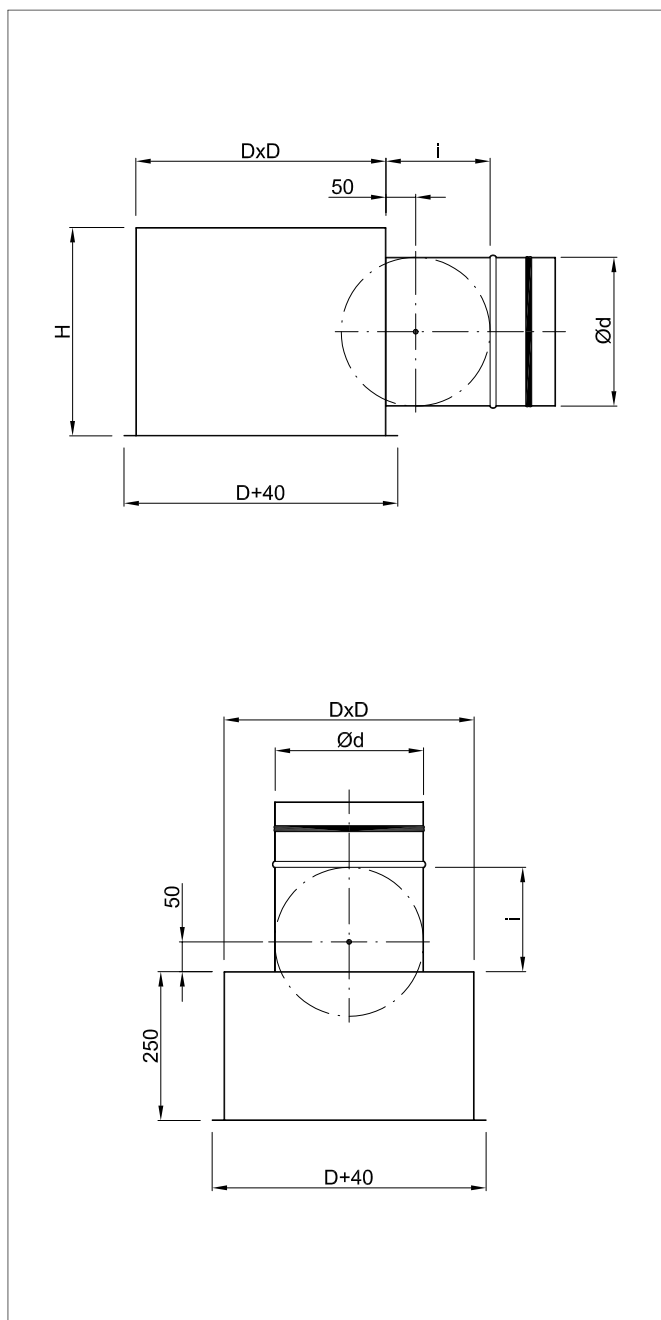


## expansion boxes for diffusers AN



### DESCRIPTION

SR/AN are expansion boxes for AN diffusers. They stabilize the airflow and ensure uniform air supply to the diffuser. Expansion boxes connect diffusers with ventilation installation. They are made of zinc-coated sheet, joint by non-welded Click-Clock connection.

Expansion boxes can be connected to the ventilation installation through the side or top.

Boxes can be thermally and acoustically insulated from the inside by K-Flex rubber mat.

Upon customer's request we can make other types of expansion boxes accordingly to provided drawings.

### ORDER REFERENCE

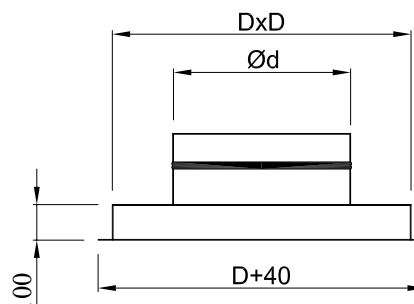
SR / AN - 4 - PZ - I - g

- b side connection
- g top connection
- non-insulated
- I insulated
- no throttle
- PW throttle controlled from inside
- PZ throttle controlled from outside
- size
- diffuser type
- SR expansion box
- PS spiro transition

### STANDARD SIZES

	1	2	3	4	5	6	7	8
D [mm]	170	220	270	320	370	420	470	520
H[mm]	260		300		350		420	
Ød [mm]	158		198		248		313	
i [mm]	130		150		175		210	

### PS - Spiro transition

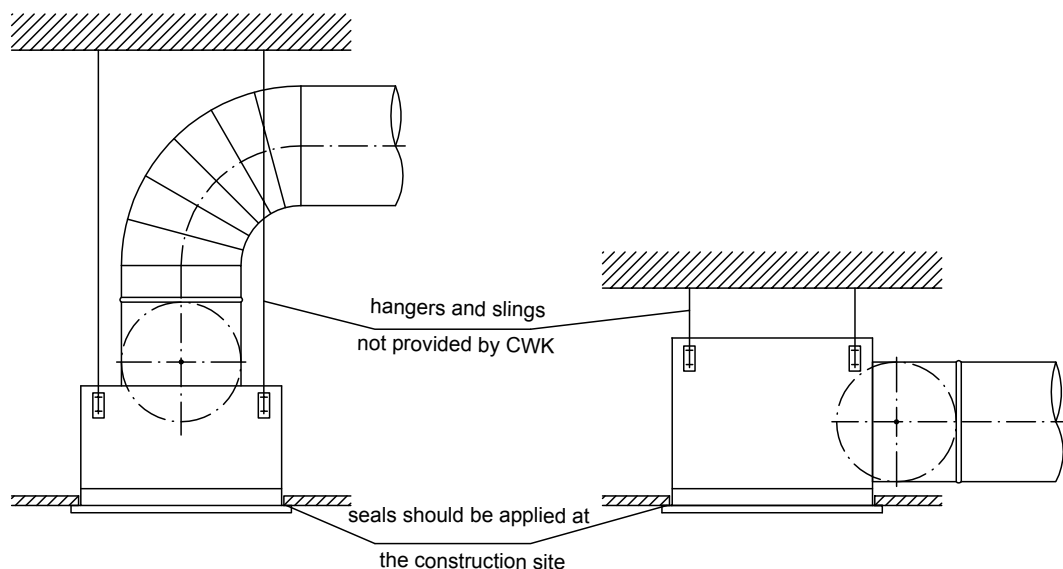


### INSTALLATION

Expansion boxes SR/AN are designed for installation in the underslung ceilings. Prepare an installation hole of a size  $\varnothing D$  mm. The box can be mounted on the ceiling by appropriate hangers (bars, pins...) or installation slings, or can be mounted directly on the underslung ceiling plane.

Upon customer's request, boxes can be equipped with factory slings.

#### INSTALATION IN THE ROOF



#### ASSEMBLY FOR SUSPENDED CEILING

