

Slant air vents with absolute filters



FUNCTIONS

The main functions are: isolating the operating theatre from bacteriological and gaseous pollutants, ensuring heat comfort for operating personnel and patients, maintaining proper airflow between neighbouring rooms, decreasing the concentration and remove pollutants from the operating table area and the entire security zone.

CONSTRUCTION

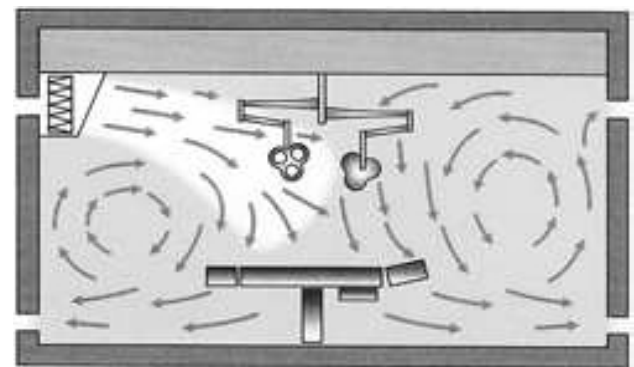
The tight housing is made of powder-coated steel and includes a mounting frame for the internal built-in absolute filter facilitating the connection of the connector pipe from the top, rear or bottom (customized version). The solution also includes in-built connection pipes for pressure difference measurement and filter seating tightness control. H13 class filter. The front air-supply surface consists of an easily demountable grate with perforated sheet metal ensuring easy access to the interior for cleaning and disinfection purposes.

DESCRIPTION

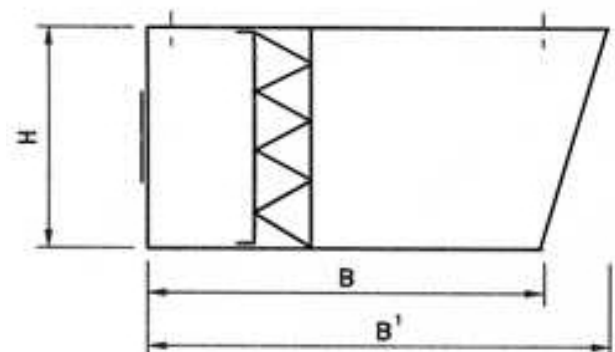
These devices supply air to operating theatres and surgery rooms in hospitals where it is impossible to use the laminar ceiling solutions due to the room height or structural requirements.

SHORT CHARACTERISTIC

- low-turbine induction air-supply;
- air-supply directed at the operating table;
- modular design;
- air vent made of powder-coated sheet metal;
- air-supply through perforated sheet metal;
- H13 class filter;
- filter replacement on the room side;
- duct connection from the top, rear or bottom (optional);
- no need to encase the air vent;
- hygiene certificate;
- customized sizes (individual orders)



Section A-A

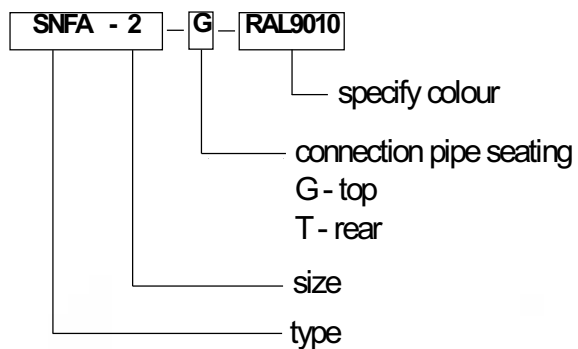


Technical data

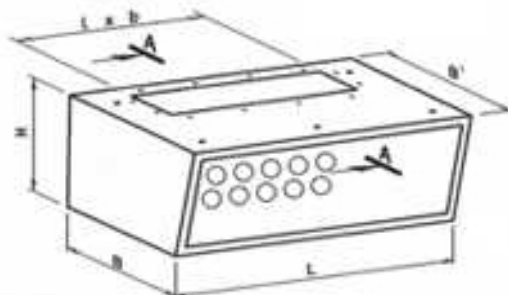
Type		SNFA1	SNFA2	SNFA3	SNFA4
Nominal stream*	m ³ /h	600	1200	1800	2400
Housing dimensions (LxHxB)	mm	1080x410x720	2160x410x720	3240x410x720	4320x410x720
Dimension B ¹	mm	830	830	830	830
Dimension l x b	mm	800x200	800x200	800x200	800x200
Filter size	mm	610x305x292	610x305x292	610x305x292	610x305x292
Number of filters	piece	1	2	3	4
Weight	kg	55	110	165	220

Slant air vents with absolute filters

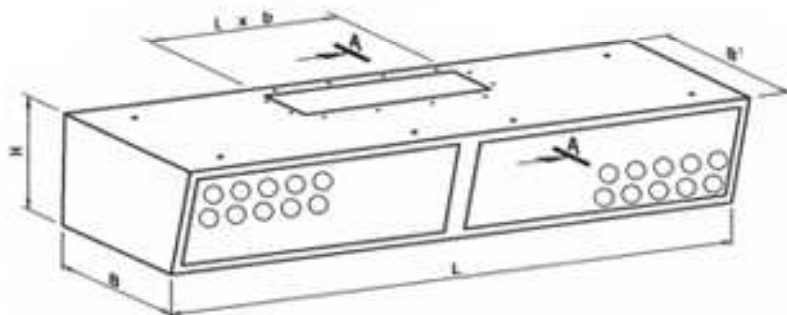
Order code



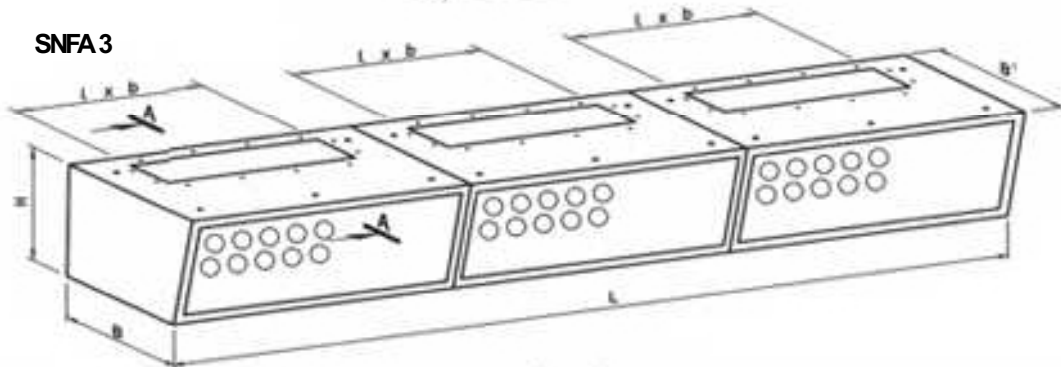
SNFA 1



SNFA 2



SNFA 3



SNFA 4

