

DESCRIPTION

NWN are corner displacement diffusers designed for installation in wall corners. They are designed for slow supply of small quantities of air directly to the zone of human presence. The airflow can be adjusted by adjustable sinusoidal nozzles RD. Additional equipment includes: plinth C to set the diffuser on the floor and a throttle PT with a silencer.

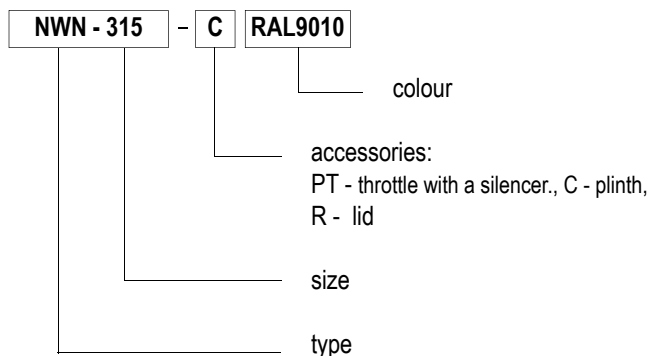
FEATURES

- supplying small quantities of air directly to the zone of human presence
- airflow stream angle adjusted by sinusoidal RD nozzles (4)
- for places where particular air conditions are required
- simple installation
- diffusers made of steel sheet
- available in standard RAL 9010 colour
- upon customer's request, can be painted in any colour from RAL palette

STANDARD SIZES

Size	A [mm]	B [mm]	Ø D [mm]	G [mm]	Weight [kg]
125	250	600	123	125	5
160	280	600	158	140	7
200	320	900	198	160	14
250	370	900	248	185	18
315	440	1480	313	220	23
400	520	1480	398	260	31

ORDER REFERENCE

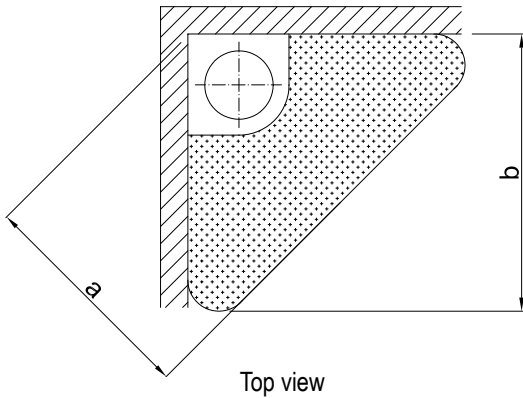


corner displacement diffusers

AIR SUPPLY LAY OUT

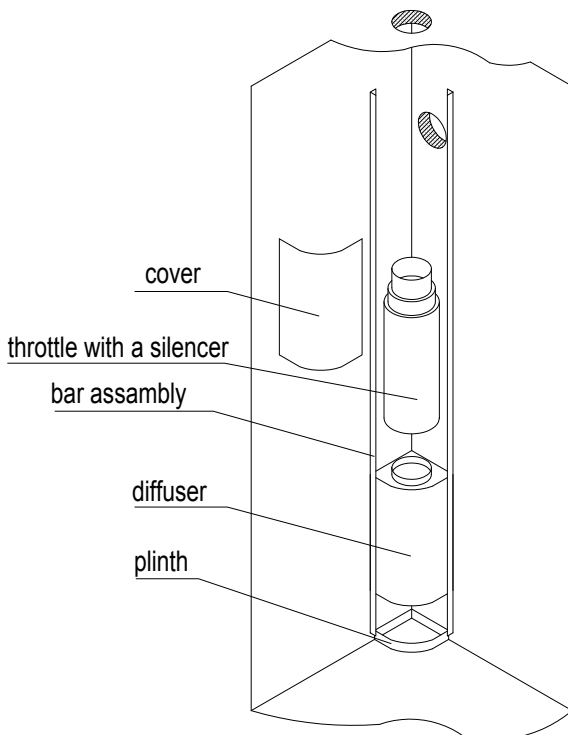
Figures below show the way the air is diffused in the room.

Figures a and b show the size of zone where air speed comes to 0.2 m/s for air supply at the temperature lower by 3°C than the temperature in the ventilate room.



INSTALLATION

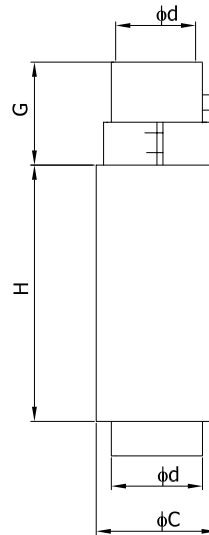
NWN diffusers are designed for installation in wall corners by screws. Depending on the purpose and installation surface, use appropriate installation slings. NWN should be connected to the round ventilation duct.



ACCESSORIES

PT - Throttle with a silencer

It is designed for adjusting the airflow going through the diffuser. Additionally equipped with an acoustic silencer.



PT	ØC [mm]	Ød [mm]	G [mm]	H [mm]
125	230	125	230	600
160	260	160	230	600
200	300	200	230	600
250	350	250	250	600
315	415	315	260	900
400	500	400	300	900

FEATURES

The figure shows airflow capacity V (m^3/h), pressure loss p (Pa), airflow scope a and b (m) for end speed of 0.2 m/s , and volume level [db(A)].

