



DESCRIPTION

Ceiling diffusers NFA/PB with absolute filter HEPA are design for air supply into rooms about highest requirements of the cleanes and sterility in medicine, biology and laboratory- technique.

NFA/PB diffusers are made of steel sheet available in standard RAL 9010 colour, with side rectangular connection. Additionally diffuser casing equiped with side structural reinforcement. System of the filter fastening assures hermetic and steady embedment in the box. Diffuser is also additionally equiped into endings making possible qualification of the pollution of the filter.

The filter elements are absolute filters H13 and H14 class in PN-EN 1822 (PN-B-76003) standard with frame made of discharge aluminium profiles with neopren seal.

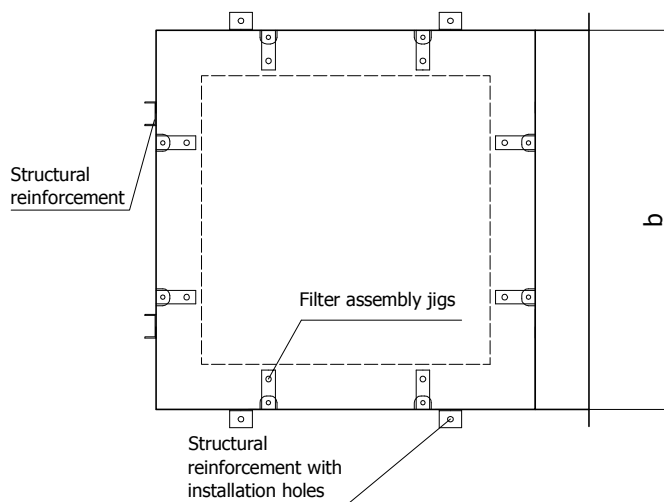
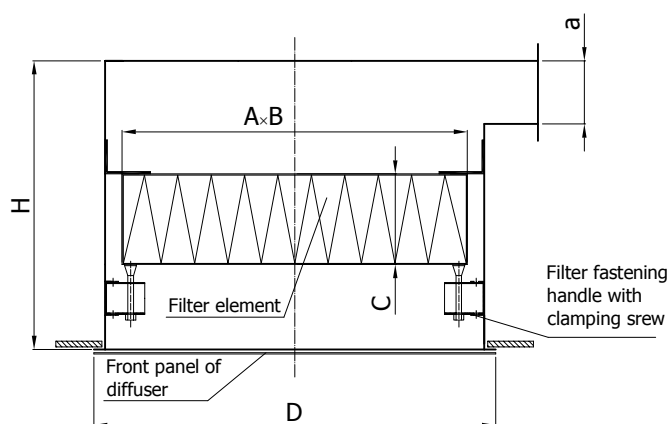
NFA/PB equiped with four versions of supply elements (front panels):

- AN square diffuser
- KWBP perforated air grate
- ANW swirl diffuser with adjustable blades
- NW swirl difuser

painted in standard RAL 9010.

FEATURES

- diffusers in standard without pressure controller
- front panel made of zinc-coated steel sheet
- upon customer's request, diffusers can be made in any size and colour from RAL palette



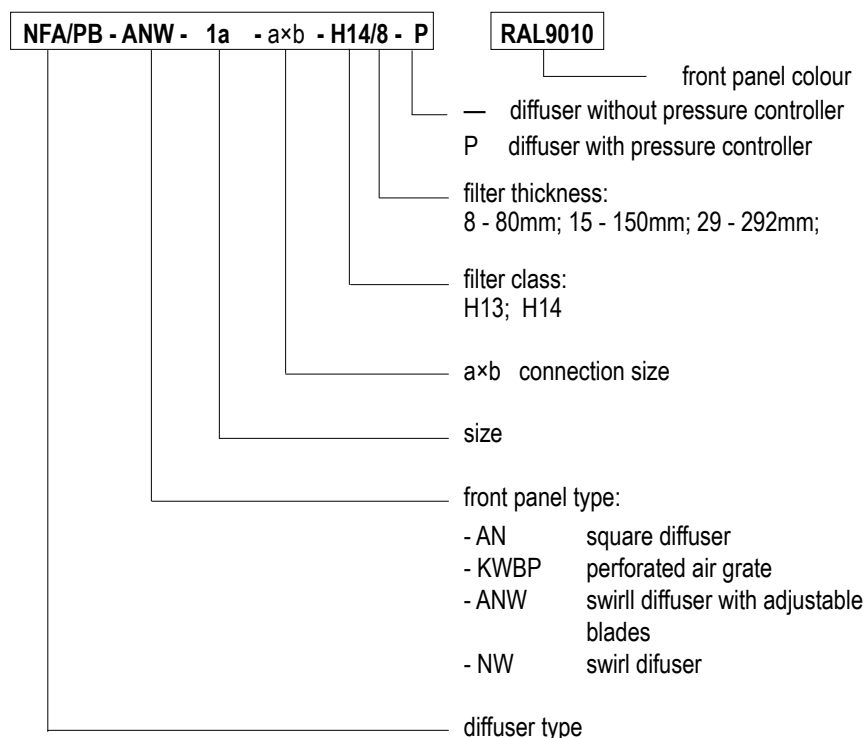
ceiling diffusers with absolute filter

STANDARD SIZES

| Size | Filter size [mm] | | a [mm] | b [mm] | H [mm] | □D [mm] |
|-----------|------------------|-----|--------|--------|--------|---------|
| | A×B | C | | | | |
| 1a | 305×305 | 80 | 98 | 335 | 296 | 340 |
| 1b | | 150 | | | 368 | |
| 2a | 457×457 | 80 | 98 | 487 | 296 | 490 |
| 2b | | 150 | | | 368 | |
| 3a | 575×575 | 80 | 98 | 605 | 296 | 610 |
| 3b | 575×575 | 150 | 98 | 605 | 368 | 610 |
| 4a | 610×610 | 80 | 98 | 640 | 296 | 645 |
| 4b | | 150 | | | 368 | |
| 4c | | 292 | | | 600 | |

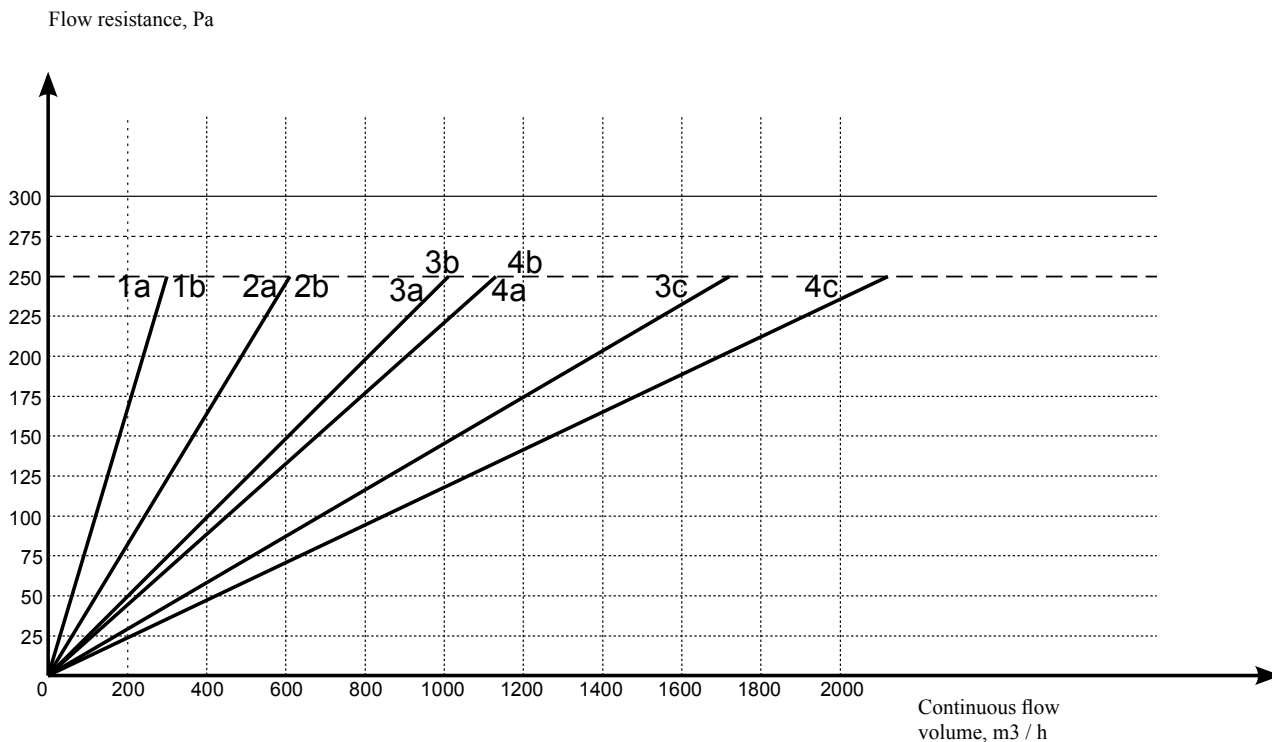
A×B - filter size
 C - filter thickness
 a×b - internal connection size
 H - diffuser height
 □D - front panel size

ORDER REFERENCE



FEATURES

The figure shows airflow capacity V (m³/h) and pressure loss Δp (Pa).



INSTALLATION

NFA/PB diffusers are designed for installation between the ceiling and underslung ceiling. It can be mounted onto the ceiling by appropriate hangers (bars, pins...) and installation slings or fixed directly to the underslung ceiling.

Upon customer's request, diffusers can be equipped with factory slings

INSTALLATION IN THE ROOF

