

square exhaust diffusers

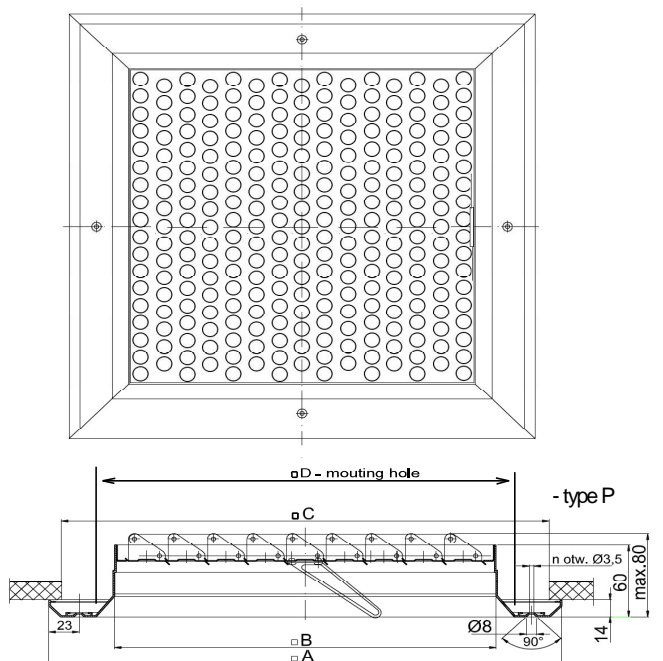
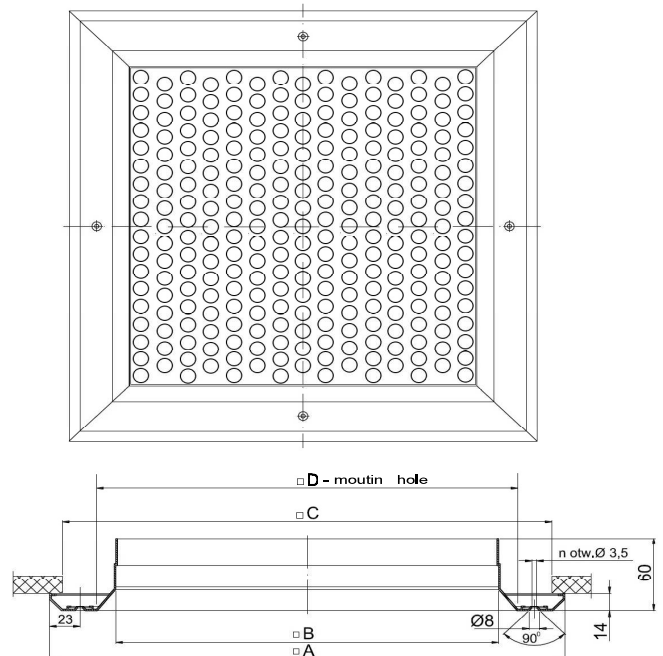
STANDARD SIZES

EXHAUST DIFFUSER AW

Nr	1	2	3	4	5	6	7	8
□A [mm]	240	290	340	390	440	490	540	590
□B [mm]	140	190	240	290	340	390	440	490
□C [mm]	215	265	315	365	415	465	515	565
□D [mm]	170	220	270	320	370	420	470	520
n	2				4			
Capacity [m ³ /h]	15 - 200	25 - 350	45 - 580	65 - 850	85 - 1150	110 - 1550	140 - 1950	170 - 2450
Weight [kg]	0,35	0,47	0,60	0,73	0,85	1,00	1,12	1,30

EXHAUST DIFFUSER AWP

Nr	1	2	3	4	5	6	7	8
□A [mm]	240	290	340	390	440	490	540	590
□B [mm]	140	190	240	290	340	390	440	490
□C [mm]	215	265	315	365	415	465	515	565
□D [mm]	170	220	270	320	370	420	470	520
n	2				4			
Capacity [m ³ /h]	15 - 200	25 - 350	45 - 580	65 - 850	85 - 1150	110 - 1550	140 - 1950	170 - 2450
Weight [kg]	0,55	0,80	1,00	1,40	1,70	2,20	2,60	3,00



- type PP



backward throttle

FEATURES

The figure shows airflow capacity V (m³/h), pressure loss p (Pa), and volume level [db(A)].

