



DESCRIPTION

AN are square supply diffusers designed for low- and medium-pressure installations, which can be used for both – supplying and exhausting air. They are installed in rooms of height up to 4.0 m. They can be used with constant and variable airflow. The air can be supplied at the temperature by 10°C lower than the temperature in the ventilated room. Fixed vanes suggest horizontal air supply, so it's recommended they are installed in ceilings.

AN-P, AN-PP are square supply diffusers equipped with control throttle. Adjustable angle of the throttle allows for adjusting airflow capacity.

Square diffusers AN, AN-P, AN-PP are available in 4 versions:

- standard 4-duct ,
- or 1-duct, 2-duct or 3-duct.

FEATURES

- made of aluminium profiles and available in standard RAL 9010 colour
- equipped with control throttle that allows for adjusting airflow capacity
- throttle blades made of profiled aluminium-zinc sheet
- can be made in 4 standard versions
- can be installed with connection can SR/AN
- made in 8 standard sizes
- upon customer's request, gates can be made in any size and colour from RAL palette

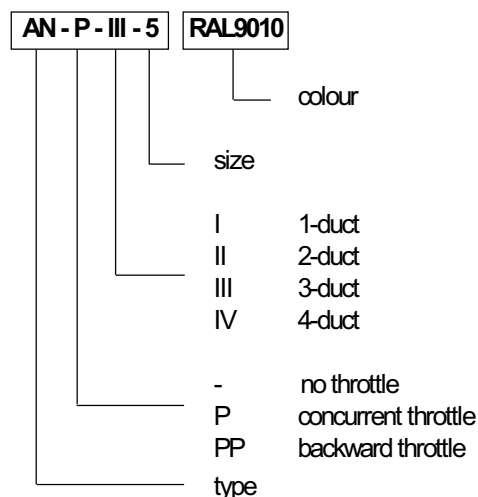
INSTALLATION

Diffusers AN are designed for installation in the underslung ceilings. They can be installed individually or with the connection can.

Prepare an installation hole of a size $\square C$ and slide the diffuser in. Remember to seal the joints. Fix the diffuser in using installation holes and appropriate screws.

Installation with the connection can – see SR/AN.

ORDER REFERENCE



square supply diffusers

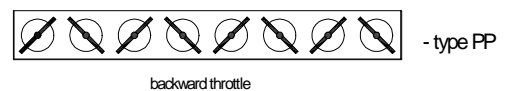
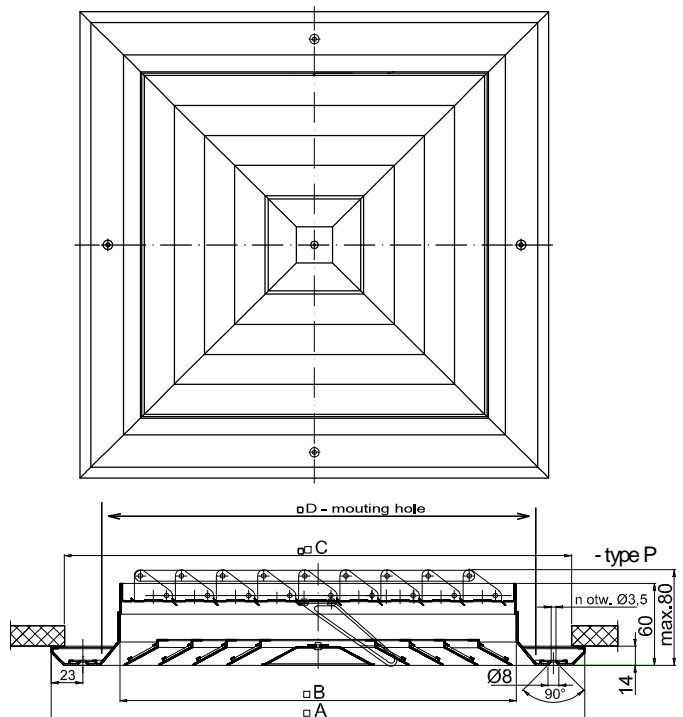
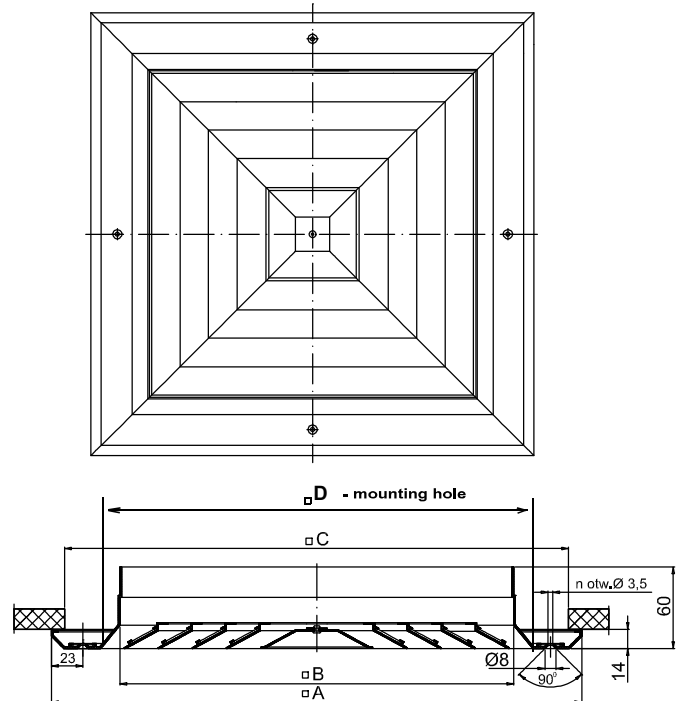
STANDARD SIZES

SUPPLY DIFFUSER AN

Nr	1	2	3	4	5	6	7	8
□A [mm]	240	290	340	390	440	490	540	590
□B [mm]	140	190	240	290	340	390	440	490
□C [mm]	215	265	315	365	415	465	515	565
□D [mm]	170	220	270	320	370	420	470	520
hole	170	220	270	320	370	420	470	520
n	2				4			
Capacity [m³/h]	50 - 200	200 - 350	350 - 650	650 - 1000	850 - 1700	1350 - 2800	1850 - 3800	2250 - 4850
Weight [kg]	0,38	0,56	0,76	1,0	1,22	1,49	1,79	2,10

SUPPLY DIFFUSER AN-P

Nr	1	2	3	4	5	6	7	8
□A [mm]	240	290	340	390	440	490	540	590
□B [mm]	140	190	240	290	340	390	440	490
□C [mm]	215	265	315	365	415	465	515	565
□D [mm]	170	220	270	320	370	420	470	520
hole	170	220	270	320	370	420	470	520
n	2				4			
Capacity [m³/h]	15 - 200	25 - 350	45 - 580	65 - 850	85 - 1150	110 - 1550	140 - 1950	170 - 2450
Weight [kg]	0,55	0,80	1,00	1,40	1,70	2,20	2,60	3,00



FEATURES

The figure shows airflow capacity V (m³/h), pressure loss p (Pa), airflow scope L (m) for end speed of 0.25 m/s, and volume level [db(A)].

